

Radius Corner Snap Frame Instruction Sheet

Because Change is Inevitable

Graphic Installation:

Open the frame by flipping back the frame on all four sides. Lay the graphic in the body of the Radius Corner Snap Frame and slip each corner of the graphic under the projecting edge of the plastic corner piece. Close the frame on each side.

Mounting:

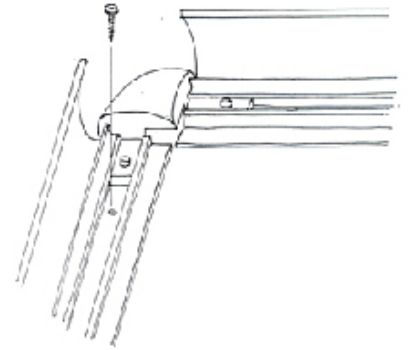
Hold the Radius Corner Snap Frame on the wall in the location desired. Open the frame and mark the wall through the holes pre-drilled in the body. Use a 3/16" drill bit to drill the holes, and install the plastic anchors provided. Use the flat-head wood screws provided to screw through the body into the anchors.

Wall Mount Installation:

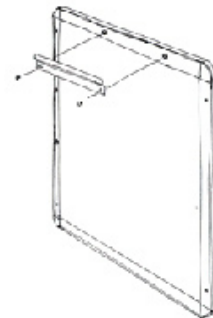
Hold the Radius Corner Snap Frame on the wall in the location desired. Open the frame and mark the wall through the holes pre-drilled in the body. Use a 3/16" drill bit to drill the holes, and install the plastic anchors provided to screw through the body into the anchors.

Optional Slatwall Installation:

Threaded inserts are located on the back of the frame for both horizontal and vertical mounting formats (see Figure 2, above). Attach the slatwall hanger with the round-head screws provided.



Back View of Snapframe



1" Radius Corner Snap Frame Assembly and Installation:

Your Radius Corner Snap Frame has been shipped partially-assembled in order to avoid excessive packaging and shipping costs. It has been sent with (4) #8x3/8" screws for corner assembly and (4) #10x1 1/2" screws and anchors suitable for mounting to wood or sheetrock walls.

1. With the frame already open, hold one side of the Radius Corner Snap Frame on the wall in the desired location, and mark the wall through the holes pre-drilled in the body. Use a 1/4" drill bit to drill the holes, and install the plastic anchors provided. Use the flat-head wood screws provided to screw through the body into the anchors.
2. Open the frame of a connecting side and slide it onto the end of the first side so that the hole in the leg of the plastic corner lines up with the hole pre-drilled in the body. Use a level or carpenter's square to ensure proper alignment and mark holes and install anchors and screws as described in step 1. Install the #8x3/8" sheet metal screw through the leg of the plastic corner.
3. Repeat step 2 for the remaining sides.
4. The graphic and, if needed, backing sheet should total 1/8" in thickness. Install them at this time and close the frame on each side.

